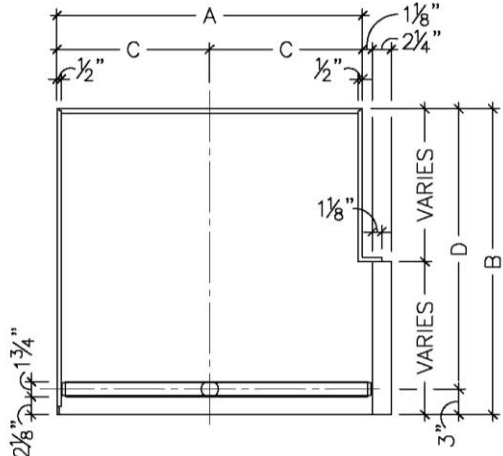
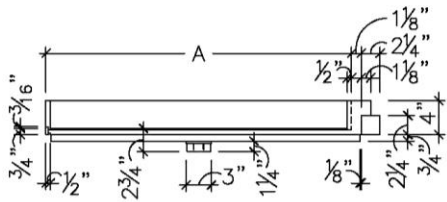


Partial Glass Wall Base - Left or Right (shown)

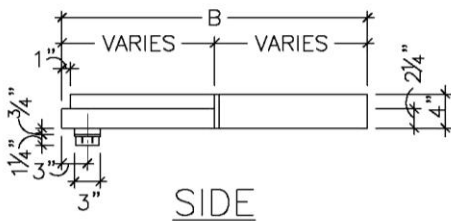
Model: PGW (Patent No 10,165,905 B2 and No US D792,954 S)



TOP
RIGHT CURB SHOWN



FRONT



SIDE

Description: 2 wall base with Partial Ledge for glass.

Features:

- Curb free access, 2% single slope to drain, ADA compatible
- One-piece base made from 100% solid surface material
- 100% nonporous, stain resistant, and easy to clean
- No grout joints to clean and attract mold and bacteria
- Local sizes up to 95" wide x 60" deep, Ship up to 72" X 52"
- Standard colors: Glacier White, Cameo, Bisque, and Bone
- Choose from 100+ colors of Corian
- Install with any type of wall finish material
- Linear drain channel slopes to the center so no standing water
- Drains up to 5 gallons/minute
- Easy to remove stainless steel drain cover for easy cleaning
- 2" PVC FTP drain output can be offset L or R – special order
- Installs over a standard 3/4" subfloor, drain body recesses into subfloor above joist. Can also install on non-prestressed concrete floors
- Most reliable base, no waterproof liner
- Residential 3 year and commercial 1 year product limited warranty, not recommended for steam showers
- Step by step installation video and guide online

Rough In W X D	ACTUAL BASE DIMENSIONS			
	A	B	C	D
36 X 34	35-3/4"	33-7/8"	16-3/4"	30-7/8"
36 X 36	35-3/4"	35-7/8"	16-3/4"	32-7/8"
42 X 34	41-3/4"	33-7/8"	19-3/4"	30-7/8"
42 X 36	41-3/4"	35-7/8"	19-3/4"	32-7/8"
48 X 34	47-3/4"	33-7/8"	22-3/4"	30-7/8"
48 X 36	47-3/4"	35-7/8"	22-3/4"	32-7/8"
60 X 34	59-3/4"	33-7/8"	28-3/4"	30-7/8"
60 X 36	59-3/4"	35-7/8"	28-3/4"	32-7/8"
72 X 36	71-3/4"	35-7/8"	34-3/4"	32-7/8"
72 X 42	71-3/4"	41-7/8"	34-3/4"	38-7/8"

Manufacturer Dimensional Tolerance 0.1875" +/-



Encompass Shower Bases
 Meet HUD Bulletin 73a, CSA
 B45/IAMPO Z124.1.2
 ICC/ANSI A117.1, ASTM F462
 Standards

Encompass
 SHOWER BASES

Exclusively by Encompass Shower Bases LLC
 1070 W 124th Ave, Suite 200
 Westminster, CO 80234
 Phone (303) 798-5547
www.EncompassShowerBases.com