

TILE SETTER INSTALL GUIDE

READ BEFORE INSTALLING WALL MATERIALS

Encompass

Shower Bases

(Patent NO US 10,165,905 B2 and NO US D792,954 S)

When shower wall finishes are installed, tile or other wall finishes used should be adhered to the shower base's 4" vertical sides using 100% silicone mildew resistant caulk. Do NOT use tile thin set mortar or any other mastic. These materials will not adhere as well or allow for expansion. See Figure 6a. Joint between base front and flooring must be caulked with 100% silicone, NOT grouted. See Figure 6b. Install tile or other wall finishes 1/8" off the shower base floor and flush to the front of shower base. Caulk the 1/8" gap with 100% silicone caulk. See Figures 6a & 6b.

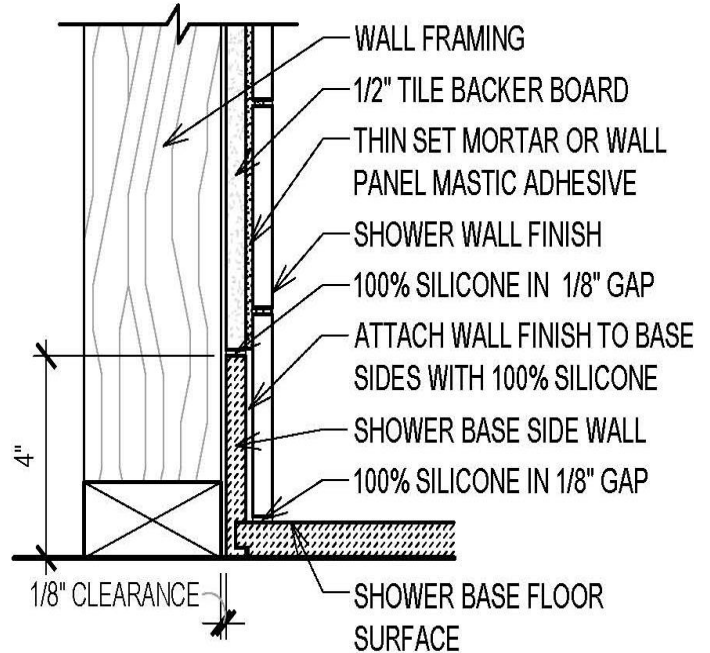


Figure 6a

- Lay a piece of plywood or other protective material on the base floor to help protect it from damage from dropped tiles, tools, etc.
- To attach wall tile to the base vertical sidewalls, 100% silicone caulk is applied to the inside vertical side wall evenly from the top surface of the base to the top edge of the base' vertical side wall. It is recommended to use a 1/8" notch trowel to spread the silicone and insure the application of silicone is even and no voids are created. For full panel installations, apply silicone with the notch trowel a least 2 inches up the side of the base vertical side, from the rear to the front of the base. Once this is completed the side panel can be installed and pressure applied to the wall panel interface to the base to seal it to the base' vertical sidewalls. Then the 1/8" to 3/16 gap left between the base top surface and the underside of the tile or wall panel must be filled completely with caulk, then cleaned neatly with a caulking tool. This process will provide for a long lasting seal of the wall panels to the base and insure that no rear tile / panel to base voids exist that could potentially allow water to escape the front linear drain.

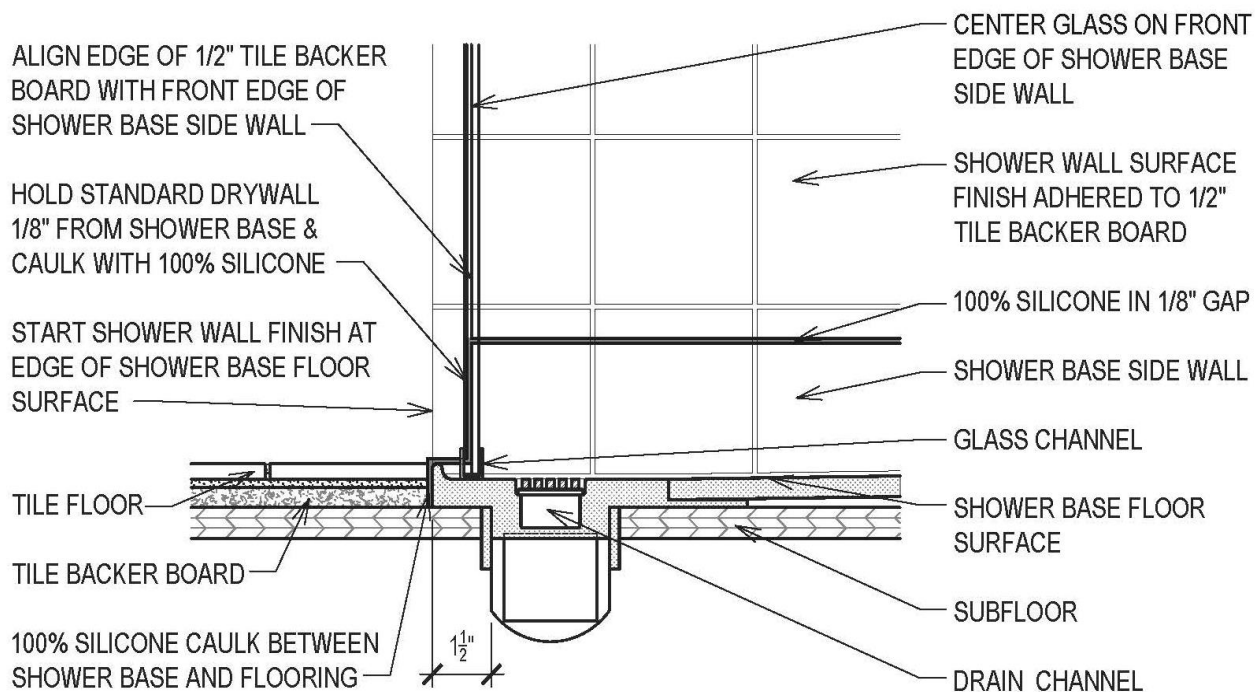


Figure 6b

Note: Do NOT install the stainless steel drain strainer until the installation of wall board and wall finish (i.e. tile) is complete as you may trap it in place and will not be able to remove it for cleaning.

Remember the shower base floor has a 2% slope. It is best to have full tile pieces at the base interface in order for the finish material to be cut to follow the slope.

- Install tile backer board a minimum of 1/8" off the top of the 4" vertical sides of the shower base. Using 100% silicone caulk, fill the 1/8" gap between the base vertical side and tile backer board. See Figure 6a & 6b.
- Do not use screws through any part of the base to mount or secure the base in place
- Install wall finish material slightly past the drain opening so water that runs down the side walls to the drain cannot escape at the side wall and drain interface. See Figure 6b.
- Shower door and glass panels should be mounted at the front of the drain, centered between drain opening and front of shower base. See Figure 6b. Do NOT mount glass channels to shower base with screws. Use 100% silicone to mount glass channels.
- A door sweep on the bottom of the shower door is recommended to direct water off the inside of the door to the drain and also reduce splatter from getting to the outside of the shower.