

Four Wall Base

Model: FWB (Patent No US10,165,905 B2 and US D792,954 S)

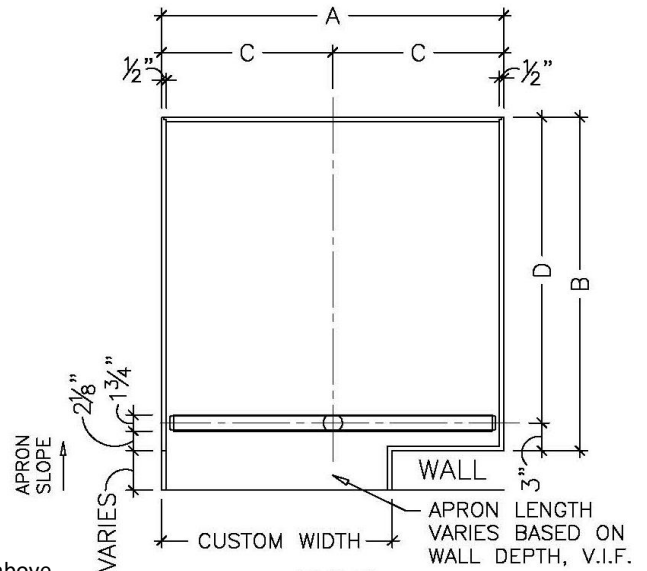
Description: Custom solid surface 4 wall base with front linear drain plus apron for front wall. Base comes with apron attached

Features:

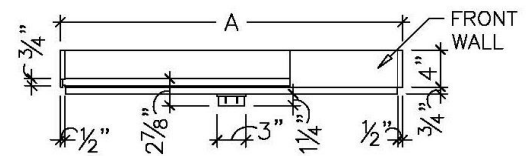
- Curb free access, 2% single slope to drain, ADA compatible
- One-piece base made from 100% solid surface material
- 100% nonporous, stain resistant, and easy to clean
- No grout joints to clean and attract mold and bacteria
- Custom sizes up to 95" wide x 60" deep, ship up to 65" X 52"
- Standard colors: Glacier White, Cameo, Bisque, and Bone
- Choose from 100+ colors of Corian
- Install with any type of wall finish material
- Linear drain channel slopes to the center so no standing water
- Drains up to 5 gallons/minute
- Easy to remove stainless steel drain cover for easy cleaning
- 2" PVC FPT drain output can be offset L or R – special order
- Installs over a standard 3/4" subfloor, drain body recesses into subfloor above joist. Can also install on non-prestressed concrete floors.
- Most reliable base, no waterproof liner
- Residential 3 year and Commercial 1 year product limited warranty, not recommended for steam showers
- Step by step installation video and guide online

	Rough In W X D SAMPLE	ACTUAL BASE DIMENSIONS			
		A	B	C	D
	36 X 34	35-3/4"	33-3/4"	17-7/8"	30-3/4"
	36 X 36	35-3/4"	35-3/4"	17-7/8"	32-3/4"
	42 X 34	41-3/4"	33-3/4"	20-7/8"	30-3/4"
	42 X 36	41-3/4"	35-3/4"	20-7/8"	32-3/4"
	48 X 34	47-3/4"	33-3/4"	23-7/8"	30-3/4"
	48 X 36	47-3/4"	35-3/4"	23-7/8"	32-3/4"
	60 X 34	59-3/4"	33-3/4"	29-7/8"	30-3/4"
	60 X 36	59-3/4"	35-3/4"	29-7/8"	32-3/4"
	72 X 36	71-3/4"	35-3/4"	35-7/8"	32-3/4"
	72 X 42	71-3/4"	41-3/4"	35-7/8"	38-3/4"

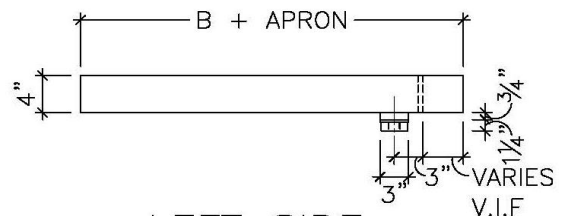
- Apron Length = A – front wall inside length – 1/8"
- Apron Width = wall rough in width + thickness of outside wall material
- Some measurements shown vary by depth of front wall apron
- Install easiest when front or side wall installed after the base
- Manufacturer Dimensional Tolerance .1875 +/-



TOP
RIGHT WALL SHOWN



FRONT



LEFT SIDE